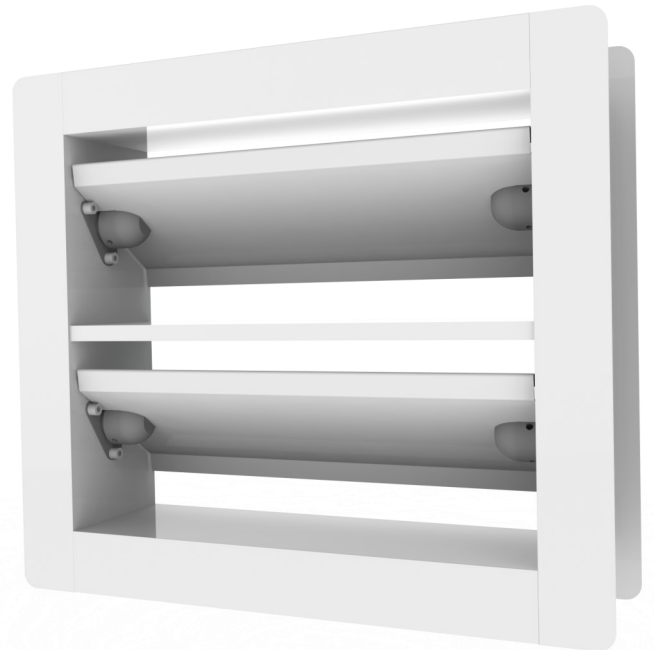


### Client Benefits

- Removable blades for improved maintenance  
SteriTouch® antimicrobial protection as standard.
- Quiet day-to-day operation.
- Self contained units.
- Low maintenance.
- Unique, patented balancing system.



The patented VARI-centric® range of Air Pressure Stabilisers is purpose-designed for clean environments, such as Operating Theatres, Isolation Rooms, Pharmacies and Cleanrooms, to control airborne contamination by controlling pressure differentials between rooms.

The VARI-centric® balancing system accurately controls the differential air pressure between adjacent rooms, with the blades closing fully as soon as the pressure differential drops below the required level. This diverts the airflow to pass through an open door forcing back airborne contamination without the need to alter the air extract and supply.

Positive pressurisation of Operating Theatres to protect them from the ingress of infectious agents passing through the open doors, by providing high air volume rates, is a well established principle of hygiene and infection control, forming the fundamental principles on which Health Technical Memoranda HTM 03-01 & HTM 2025 are based.

In following the philosophy of HBN 4 Supplement 1: Isolation facilities in acute settings, Air Pressure Stabilisers are utilised to control the pressure differential between the Lobby and Isolation Room.

Within Cleanrooms they are used to facilitate the cascade of air pressures to maintain a sterile environment where facilities are conforming to ISO 14664-1 and BS 5295.

Apreco VARI-centric® Air Pressure Stabilisers and associated products are supplied as standard with SteriTouch®, utilising Silver technology – which is already used extensively within the healthcare sector as an excellent antimicrobial protection in conjunction with good hygiene practices. SteriTouch® is extremely effective in helping to protect against harmful bacteria including MRSA, E-coli, Salmonella and C-diff.

### Product Data

#### Items:

Air Pressure Stabiliser with backing flanges to fit a standard wall thickness range of 100 to 175mm. Deeper wall depths can utilise the wall liner extension sections available in 75mm increments.

#### Materials:

Aluminium frame with carbon steel blades.

#### Standard Finish:

RAL9010 powder coated white SteriTouch®.

#### Bearings:

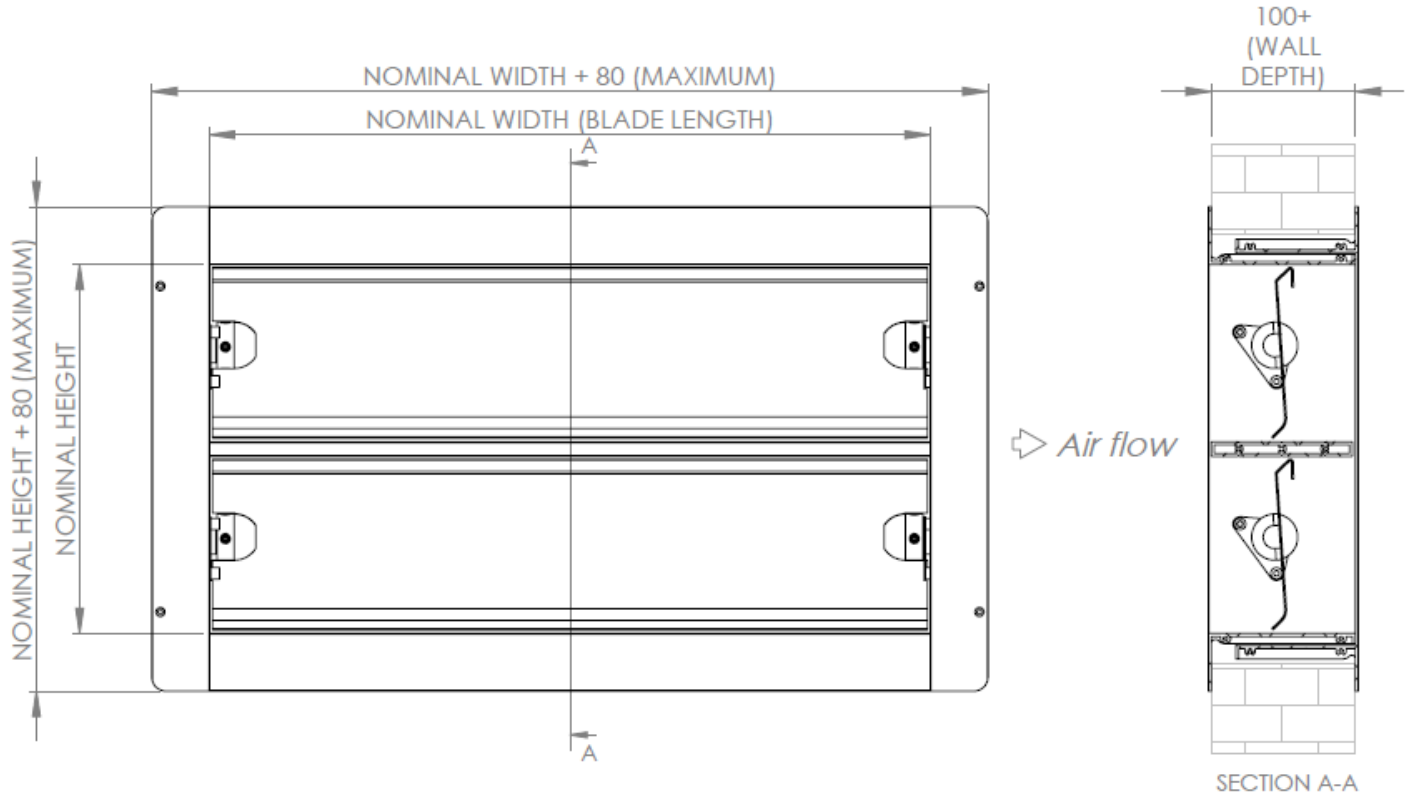
Stainless Steel ball roller type 'sealed for life' ball bearings

#### Pressure Control Range:

3 to 50Pa with a setting accuracy of +/- 1Pa over the operating range.



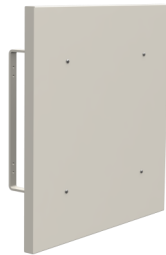
## Dimensions



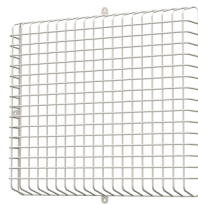
## Accessories



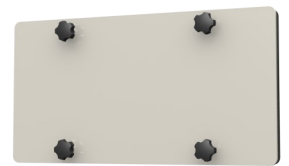
X-Ray Protection Screen



Laser Protection Screen



Protective Mesh Guard



Fumigation Sealing Plate



Air Baffle Screen



Light Reduction Assembly



Wall Extension Sleeve



Tapered Spacer