



1400, 1400FR, 51400, M1400 & M51400
These supply diffusers feature a round neck and four cones.



1400A & 51400A
These supply diffusers feature a round neck, four cones, and adjustable pattern controllers.



1450, 51450, M1450, & M51450
These supply diffusers feature a round neck and three cones.



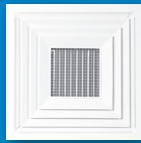
1450A & 51450A
These supply diffusers feature a round neck, three cones, and adjustable pattern controllers.



SH, 5SH, SHFR, MSH, SHV, 5SHV, SHR, 5SHR, SHR, 5SHRV, SHFB, & 5SHFB
These supply diffusers feature a square neck, fixed louvered blades (1-way to 4-way), and removable core.



SHPC, 5SHPC, SHPCR, & 5SHPCR
These supply diffusers feature a square neck, fixed louvered blades (1-way to 4-way), removable core, and adjustable pattern controllers.



5SH/CAD & 5SHR/CAD
These supply diffusers feature fixed louvered blades with a center downblow.



SHRPLQ
This supply diffuser features fixed louvered blades (1, 2, or 3 slots) with center plaque faceplate.



7000
This combination supply/return diffuser features fixed louvered blades with removable egg-crate center frame.

1400, 1400FR, 51400, M1400, M51400	
Introduction & Dimensional Information	B1-4
Reference Charts	B1-8
Performance Data	B1-11
Engineering Specification.....	B1-13
1400A, 51400A	
Introduction & Dimensional Information	B1-15
Reference Charts	B1-17
Performance Data	B1-19
Engineering Specification.....	B1-22
1450, 51450, M1450, M51450	
Introduction & Dimensional Information	B1-23
Reference Charts	B1-26
Performance Data	B1-29
Engineering Specification.....	B1-31
1450A, 51450A	
Introduction & Dimensional Information	B1-32
Engineering Specification.....	B1-34
SH, 5SH, SHFR, MSH	
Introduction & Dimensional Information	B1-35
Reference Charts	B1-38
Performance Data	B1-40
Engineering Specification.....	B1-48
SHV, 5SHV	
Introduction & Dimensional Information	B1-50
Reference Charts	B1-52
Performance Data	B1-54
Engineering Specification.....	B1-58
SHPC, 5SHPC	
Introduction & Dimensional Information	B1-59
Reference Charts	B1-61
Performance Data	B1-63
Engineering Specification.....	B1-67
SHR, 5SHR	
Introduction & Dimensional Information	B1-68
Reference Charts	B1-70
Performance Data	B1-72
Engineering Specification.....	B1-76
SHRV, 5SHRV	
Introduction & Dimensional Information	B1-77
Reference Charts	B1-79
Performance Data	B1-81
Engineering Specification.....	B1-85
SHPCR, 5SHPCR	
Introduction & Dimensional Information	B1-86
Reference Charts	B1-88
Performance Data	B1-90
Engineering Specification.....	B1-98

SHFB, 5SHFB	
Introduction & Dimensional Information	B1-99
Reference Charts	B1-100
Performance Data	B1-102
Engineering Specification.....	B1-104
5SH/CAD	
Introduction & Dimensional Information	B1-105
Reference Charts	B1-106
Performance Data	B1-107
Engineering Specification.....	B1-108
5SHR/CAD	
Introduction & Dimensional Information	B1-109
Reference Charts	B1-110
Performance Data	B1-111
Engineering Specification.....	B1-112
SHRPLQ	
Introduction & Dimensional Information	B1-113
1-Slot, Reference Charts.....	B1-114
1-Slot, Performance Data.....	B1-115
2-Slots, Reference Charts.....	B1-116
2-Slots, Performance Data.....	B1-117
3-Slots, Reference Charts.....	B1-118
3-Slots, Performance Data.....	B1-119
Engineering Specification.....	B1-120
SHC, 5SHC (CORE ONLY) & SHF, 5SHF (FRAME ONLY)	
SHC/5SHC Introduction & Dimensional Information.....	B1-121
SHF/5SHF Introduction & Dimensional Information	B1-122
7000	
Introduction & Dimensional Information	B1-123
Reference Charts	B1-125
Performance Data	B1-126
Engineering Specification.....	B1-127

Introduction: SHRPLQ

The SHRPLQ series square diffuser provides the building designer with the desired plaque diffuser appearance and superior throw performance. The 24"x24" SHRPLQ has one, two, or three slots with a square plaque face in the center. The removable core offers easy duct and damper access. They feature a 1/4" horizontal lip on the louvered core, resulting in a tight horizontal pattern at the ceiling and a higher discharge velocity at the face. This creates a high induction region just below the face of the diffuser, which makes them an excellent choice for variable air volume systems.

MODELS

SHRPLQ - Steel Louvered, Plaque Diffuser

FEATURES

- Available in 1, 2, or 3 slots.
- Core is removable from face of diffuser.
- Round duct connections.

ACCESSORIES

- Optional straightening grids.
- Optional round damper.



SHRPLQ

PANEL SIZE

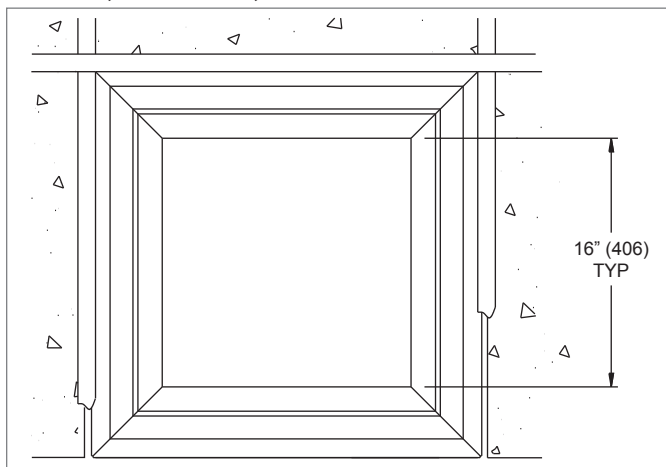
- 24"x24"

FINISHES

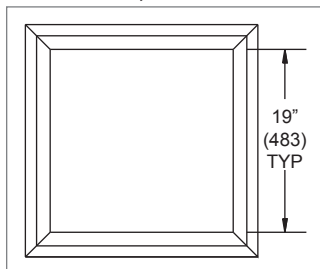
- Standard finish is #44 British White.
- Optional finishes available.

SHRPLQ Dimensional Information

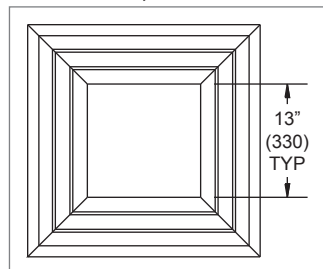
SHRPLQ, FACE VIEW, 2 SLOT



FACE VIEW, 1 SLOT

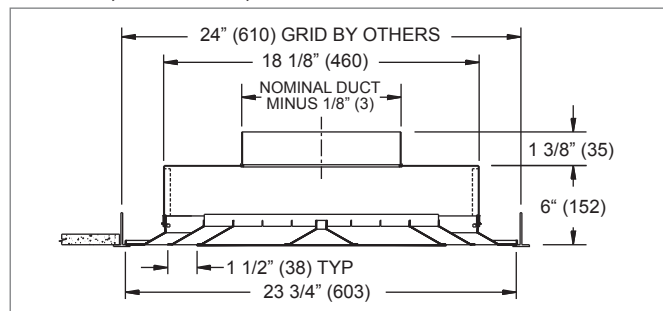


FACE VIEW, 3 SLOTS

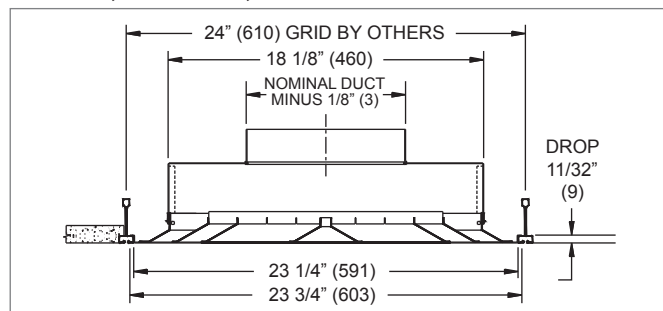


SHRPLQ Frame Styles

SHRPLQ, FRAME 23, LAY-IN T-BAR



SHRPLQ, FRAME 98, NARROW-T



SHRPLQ, AVAILABLE NECK SIZES

Slots	Inlet Size
1 Slot	6" (152), 8" (203), 10" (254)
2 Slot	6" (152), 8" (203), 10" (254), 12" (305)
3 Slot	8" (203), 10" (254), 12" (305), 14" (356)

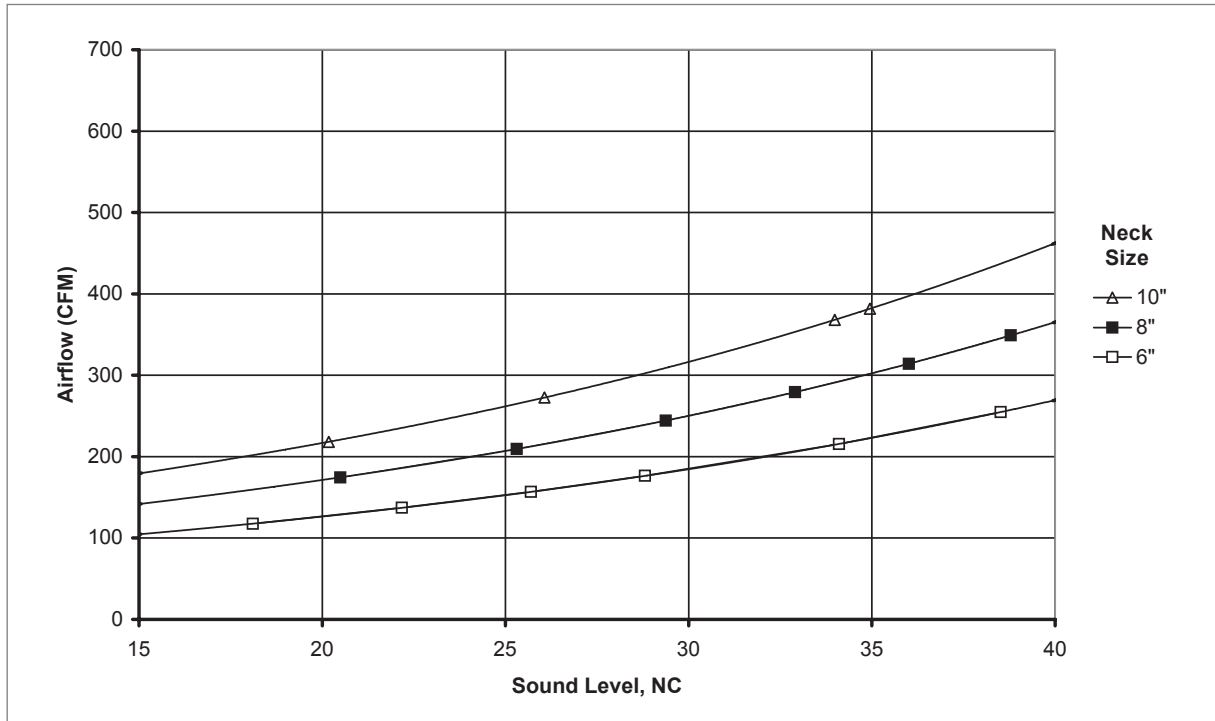
NOTE: Dimensions in parentheses are mm.

LOUVERED FACE DIFFUSERS

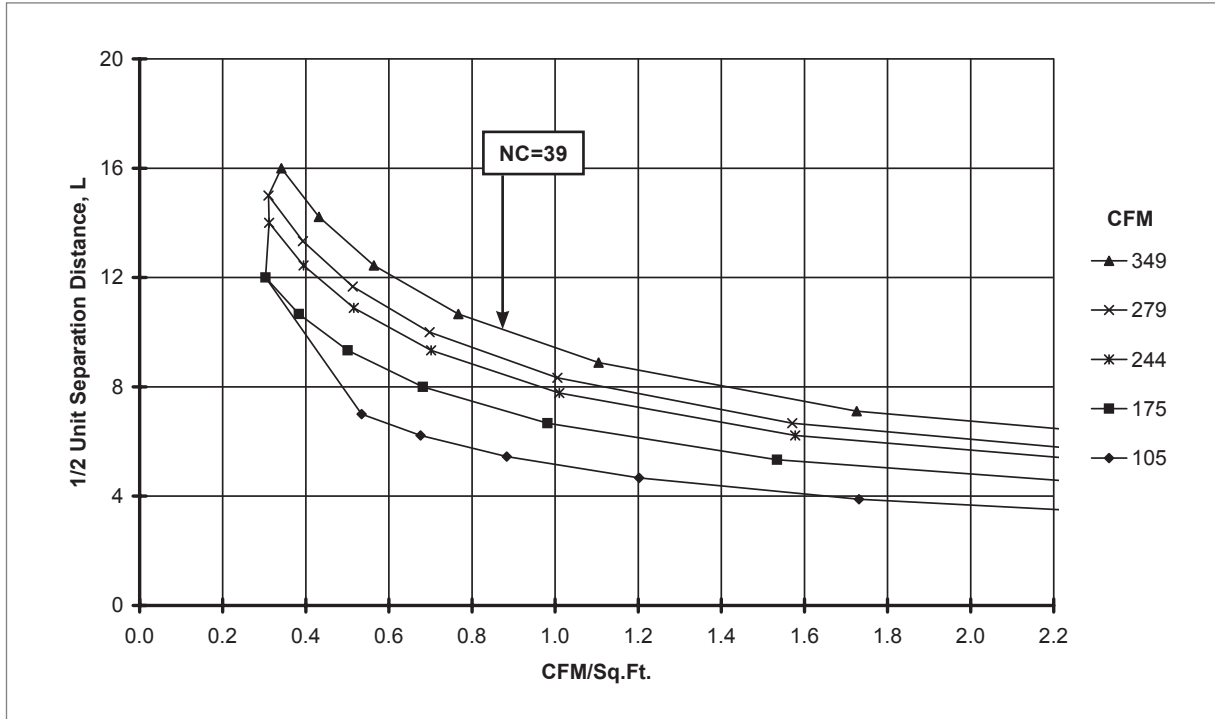
S H R P L Q

SHRPLQ Reference Charts: 1 Slot

AIRFLOW VS. NC LEVEL: SHRPLQ, 1 SLOT (NO DAMPER)



DIFFUSER SPACING FOR 80% ADPI: SHRPLQ, 24"x24" PANEL, 8" ROUND INLET, 4-WAY (NO DAMPER)



NOTES: Chart is at 20 BTUH/ft² load. See the Engineering section of this catalog for instructions on how to read these charts and additional ADPI information.

LOUVERED FACE DIFFUSERS

S
I
T
E
I
N
F
O

SHRPLQ Performance Data: 1 Slot, Horizontal Throw

IP/METRIC DATA: SHRPLQ, 24"x24" PANEL, 1 SLOT (NO DAMPER)

	IP Data						NC	Metric Data					Octave Band, dB						
	Neck Vel	Air Flow	Ps	Pt	Throw	Neck Vel		Air Flow	Ps	Pt	Throw								
	FPM	CFM	"WG	"WG	ft	m/s		L/s	Pa	Pa	m	2	3	4	5	6	7		
6" Dia.	200	39	0.003	.006	0 - 1 - 3	-	1.02	19	0.8	1.4	0.1 - 0.3 - 0.8	14	15	-	-	-	-		
	383	75	0.011	.021	2 - 3 - 5	-	1.95	35	2.8	5.1	0.5 - 0.8 - 1.6	28	29	24	11	-	-		
	567	111	0.025	.045	3 - 4 - 8	17	2.88	52	6.2	11.2	0.8 - 1.1 - 2.3	36	38	33	22	16	-		
	750	147	0.044	.079	3 - 5 - 10	24	3.81	69	10.9	19.6	1.0 - 1.5 - 3.0	42	44	40	31	26	12		
	933	183	0.068	.122	4 - 6 - 12	30	4.74	86	16.9	30.4	1.3 - 1.9 - 3.8	46	49	45	37	34	21		
	1117	219	0.097	.175	5 - 7 - 14	35	5.67	103	24.2	43.5	1.5 - 2.3 - 4.1	50	53	49	42	40	29		
	1300	255	0.132	.237	6 - 9 - 15	39	6.60	120	32.7	59.0	1.8 - 2.6 - 4.5	53	56	53	47	45	36		
8" Dia.	200	70	0.004	.007	1 - 2 - 5	-	1.02	33	1.1	1.7	0.4 - 0.7 - 1.4	21	20	14	-	-	-		
	333	116	0.012	.019	3 - 4 - 8	-	1.69	55	3.0	4.7	0.8 - 1.2 - 2.4	32	31	27	13	-	-		
	467	163	0.023	.037	4 - 6 - 11	19	2.37	77	5.8	9.2	1.1 - 1.7 - 3.4	39	39	35	23	18	-		
	600	209	0.039	.061	5 - 7 - 13	25	3.05	99	9.7	15.3	1.4 - 2.2 - 4.0	44	44	41	31	27	12		
	733	256	0.058	.092	6 - 9 - 15	31	3.73	121	14.4	22.8	1.8 - 2.6 - 4.5	48	48	46	37	34	21		
	867	303	0.081	.128	7 - 10 - 16	35	4.40	143	20.2	31.8	2.1 - 3.1 - 4.9	51	52	50	42	40	28		
	1000	349	0.108	.170	8 - 12 - 17	39	5.08	165	26.9	42.4	2.4 - 3.6 - 5.2	54	55	53	46	45	35		
10" Dia.	100	55	0.001	.002	1 - 2 - 4	-	0.51	26	0.3	0.5	0.2 - 0.5 - 1.1	12	-	-	-	-	-		
	225	123	0.007	.010	3 - 4 - 8	-	1.14	58	1.7	2.5	0.8 - 1.3 - 2.5	28	26	22	-	-	-		
	350	191	0.017	.024	4 - 6 - 13	17	1.78	90	4.1	6.0	1.3 - 2.0 - 3.9	38	36	33	20	15	-		
	475	259	0.031	.045	6 - 9 - 15	25	2.41	122	7.6	11.1	1.8 - 2.7 - 4.5	44	43	40	29	26	-		
	600	327	0.049	.071	7 - 11 - 17	31	3.05	154	12.1	17.7	2.3 - 3.4 - 5.1	49	48	46	36	34	20		
	725	395	0.071	.104	9 - 13 - 18	36	3.68	187	17.7	25.9	2.7 - 3.9 - 5.6	53	52	50	42	40	29		
	850	464	0.098	.143	11 - 14 - 20	40	4.32	219	24.4	35.6	3.2 - 4.3 - 6.0	56	56	54	47	46	36		

NOTES: Throw values are given for isothermal conditions and terminal velocities of 150, 100, and 50 FPM (0.75, 0.50, and 0.25 m/s). NC values are based on octave band 2 - 7 sound power levels minus a room absorption of 10dB, re 10⁻¹² Watts. Dash in space denotes a NC or dB value of less than 10. Data was obtained from tests conducted in accordance with ANSI/ASHRAE Standard 70, ISO Standard 5219, and ISO Standard 3741. See Krueger's selection software for performance data not shown, including octave band data.

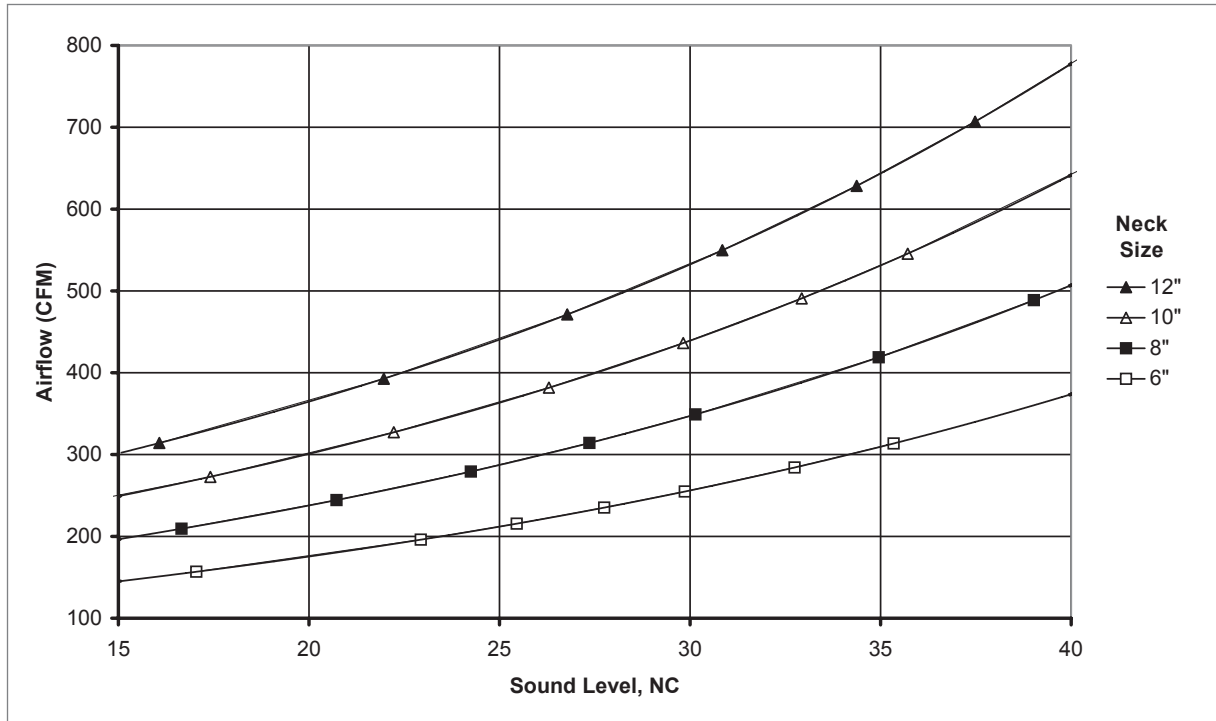
LOUVERED FACE DIFFUSERS

S H R P L Q

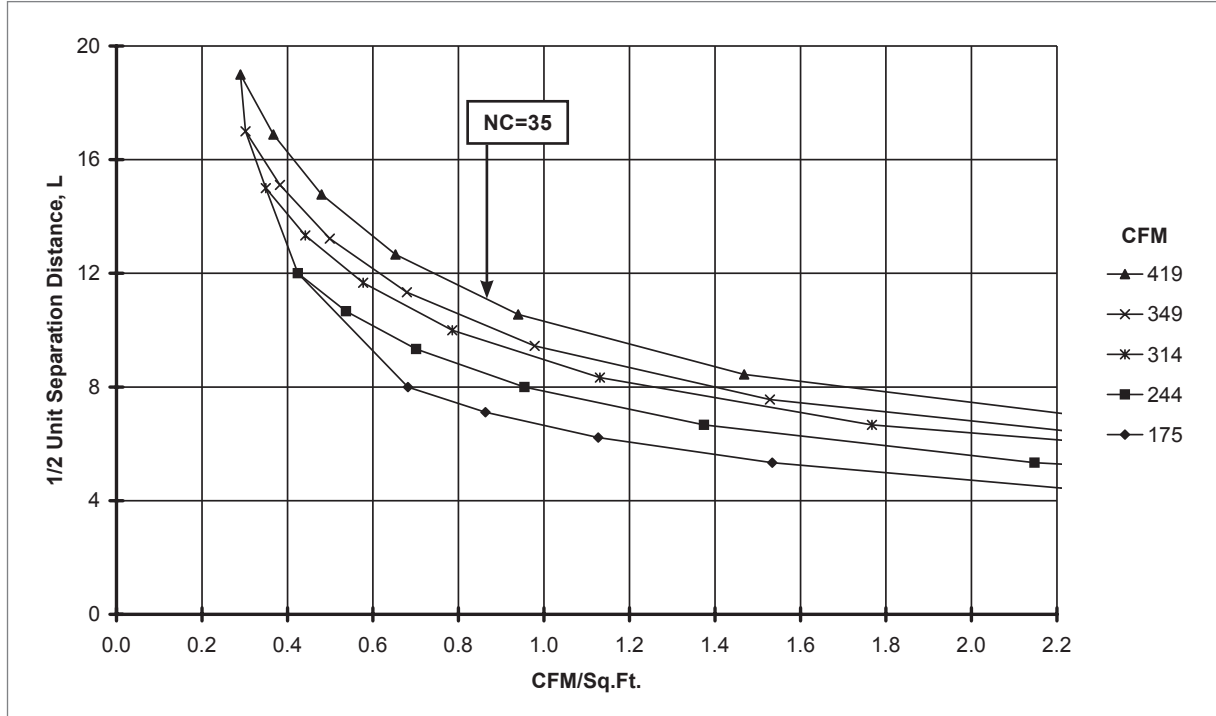
SHRPLQ Reference Charts: 2 Slots

LOUVERED FACE DIFFUSERS

AIRFLOW VS. NC LEVEL: SHRPLQ, 2 SLOTS (NO DAMPER)



DIFFUSER SPACING FOR 80% ADPI: SHRPLQ, 24"x24" PANEL, 8" ROUND INLET, 4-WAY (NO DAMPER)



NOTES: Chart is at 20 BTUH/ft² load. See the Engineering section of this catalog for instructions on how to read these charts and additional ADPI information.

S I I T P L Q

SHRPLQ Performance Data: 2 Slots, Horizontal Throw

IP/METRIC DATA: SHRPLQ, 24"x24" PANEL, 2 SLOTS (NO DAMPER)

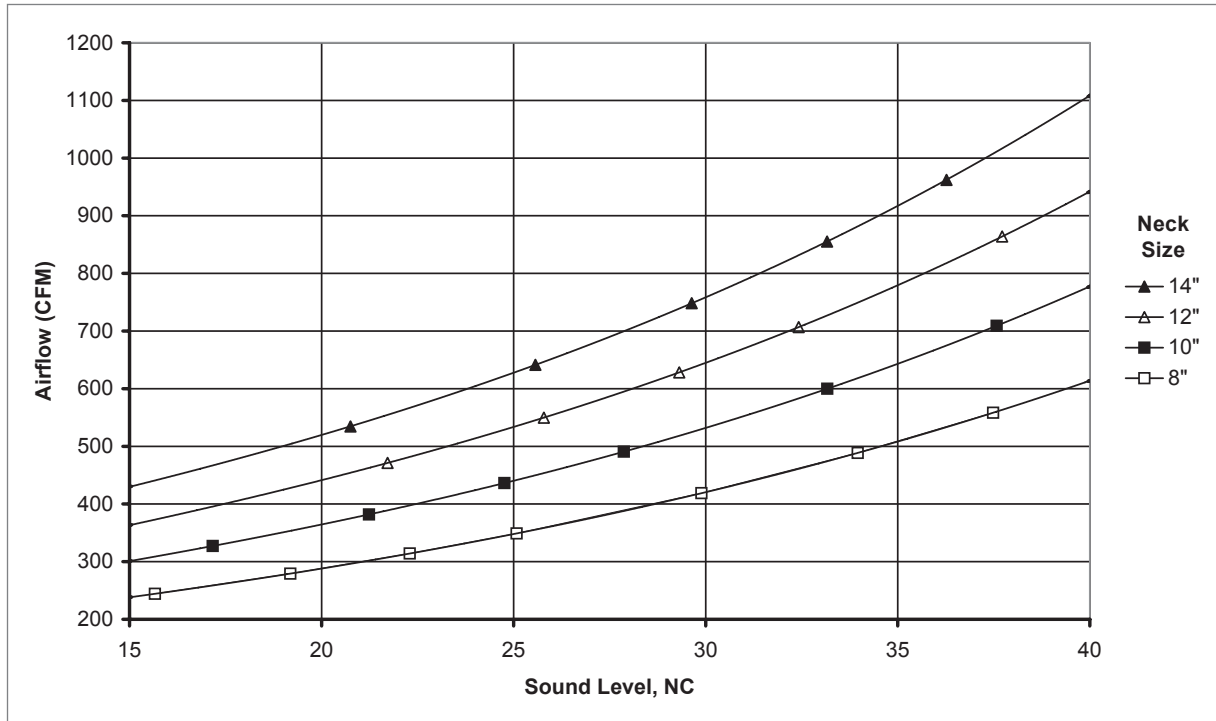
	IP Data						NC	Metric Data					Octave Band, dB					
	Neck Vel	Air Flow	Ps	Pt	Throw	Neck Vel		Air Flow	Ps	Pt	Throw	2	3	4	5	6	7	
	FPM	CFM	"WG	"WG	ft	m/s		L/s	Pa	Pa	m							
6" Dia.	400	78	0.008	.018	1 - 1 - 4	-	2.03	37	1.9	4.4	0.2 - 0.4 - 1.1	29	30	25	12	-	-	
	600	118	0.018	.040	1 - 3 - 6	-	3.05	56	4.4	10.0	0.4 - 0.9 - 1.7	37	39	34	24	18	-	
	800	157	0.031	.071	2 - 4 - 8	17	4.06	74	7.8	17.7	0.7 - 1.1 - 2.3	43	45	41	33	28	14	
	1000	196	0.049	.111	3 - 5 - 9	23	5.08	93	12.1	27.6	1.0 - 1.4 - 2.9	48	50	47	39	36	24	
	1200	235	0.070	.160	4 - 6 - 11	28	6.10	111	17.4	39.8	1.1 - 1.7 - 3.4	52	54	51	45	42	32	
	1400	274	0.095	.218	4 - 7 - 13	32	7.11	130	23.7	54.2	1.3 - 2.0 - 4.0	55	58	55	49	48	39	
1600	314	0.125	.284	5 - 8 - 15	35	8.13	148	31.0	70.8	1.5 - 2.3 - 4.6	58	61	58	53	53	45		
8" Dia.	400	140	0.012	.022	2 - 3 - 7	-	2.03	66	2.9	5.4	0.6 - 1.0 - 2.0	35	35	31	19	13	-	
	567	198	0.023	.043	3 - 5 - 10	15	2.88	93	5.8	10.8	1.0 - 1.4 - 2.9	43	43	39	29	25	-	
	733	256	0.039	.072	4 - 6 - 12	22	3.73	121	9.7	18.0	1.2 - 1.9 - 3.7	48	48	46	37	34	21	
	900	314	0.059	.109	5 - 8 - 15	27	4.57	148	14.6	27.2	1.5 - 2.3 - 4.6	52	53	51	43	41	30	
	1067	372	0.082	.153	6 - 9 - 18	32	5.42	176	20.5	38.2	1.8 - 2.7 - 5.4	56	57	55	48	47	38	
	1233	431	0.110	.205	7 - 10 - 19	36	6.27	203	27.4	51.1	2.1 - 3.1 - 5.8	59	60	58	52	52	44	
1400	489	0.142	.264	8 - 12 - 20	39	7.11	231	35.4	65.8	2.4 - 3.6 - 6.2	61	63	61	56	57	49		
10" Dia.	300	164	0.008	.014	3 - 4 - 8	-	1.52	77	2.1	3.5	0.8 - 1.2 - 2.4	34	33	29	16	-	-	
	450	245	0.019	.032	4 - 6 - 12	15	2.29	116	4.8	7.9	1.2 - 1.8 - 3.6	43	42	39	28	24	-	
	600	327	0.034	.056	5 - 8 - 16	22	3.05	154	8.5	14.0	1.6 - 2.4 - 4.8	49	48	46	36	34	20	
	750	409	0.053	.088	7 - 10 - 19	28	3.81	193	13.2	21.9	2.0 - 3.0 - 5.7	53	53	51	43	42	30	
	900	491	0.076	.127	8 - 12 - 20	33	4.57	232	19.0	31.6	2.4 - 3.6 - 6.2	57	57	56	48	48	38	
	1050	573	0.104	.173	9 - 14 - 22	37	5.33	270	25.9	43.0	2.8 - 4.2 - 6.7	60	60	59	53	53	45	
1200	654	0.136	.226	10 - 16 - 24	41	6.10	309	33.8	56.2	3.2 - 4.8 - 7.1	63	63	63	57	58	51		
12" Dia.	200	157	0.005	.007	2 - 4 - 8	-	1.02	74	1.1	1.8	0.7 - 1.1 - 2.3	30	27	23	-	-	-	
	333	262	0.013	.020	4 - 6 - 13	11	1.69	124	3.2	4.9	1.3 - 1.9 - 3.8	41	38	36	23	19	-	
	467	367	0.025	.039	6 - 9 - 18	20	2.37	173	6.2	9.6	1.8 - 2.7 - 5.3	48	46	44	33	30	16	
	600	471	0.041	.064	8 - 11 - 20	27	3.05	222	10.3	15.9	2.3 - 3.4 - 6.1	53	51	50	41	39	27	
	733	576	0.062	.095	9 - 14 - 22	32	3.73	272	15.4	23.7	2.8 - 4.2 - 6.7	57	55	55	47	46	36	
	867	681	0.086	.133	11 - 16 - 24	36	4.40	321	21.5	33.1	3.3 - 5.0 - 7.3	60	59	59	52	52	43	
1000	785	0.115	.177	13 - 18 - 26	40	5.08	371	28.6	44.1	3.8 - 5.5 - 7.8	63	62	62	56	57	49		

NOTES: Throw values are given for isothermal conditions and terminal velocities of 150, 100, and 50 FPM (0.75, 0.50, and 0.25 m/s). NC values are based on octave band 2 - 7 sound power levels minus a room absorption of 10dB, re 10⁻¹² Watts. Dash in space denotes a NC or dB value of less than 10. Data was obtained from tests conducted in accordance with ANSI/ASHRAE Standard 70, ISO Standard 5219, and ISO Standard 3741. See Krueger's selection software for performance data not shown, including octave band data.

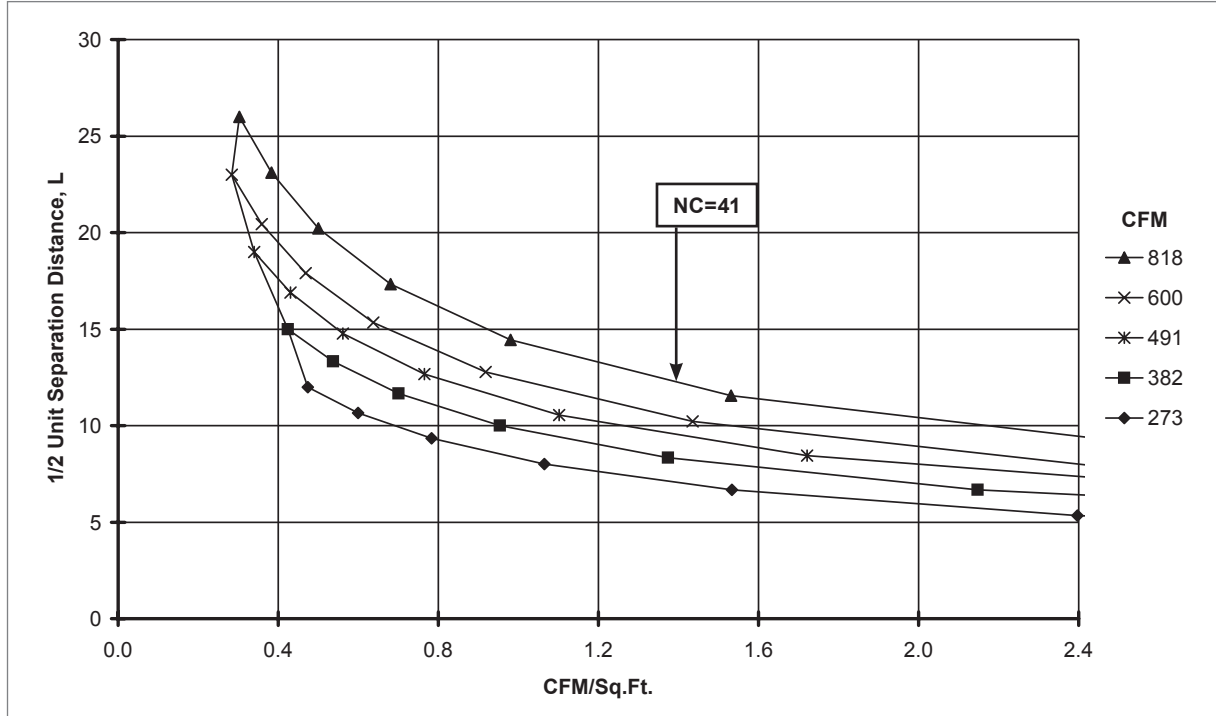
SHRPLQ Reference Charts: 3 Slots

LOUVERED FACE DIFFUSERS

AIRFLOW VS. NC LEVEL: SHRPLQ, 3 SLOTS (NO DAMPER)



DIFFUSER SPACING FOR 80% ADPI: SHRPLQ, 24"x24" PANEL, 10" ROUND INLET, 4-WAY (NO DAMPER)



NOTES: Chart is at 20 BTUH/ft² load. See the Engineering section of this catalog for instructions on how to read these charts and additional ADPI information.

S
I
T
T
L
Q

© KRUEGER 2012

SHRPLQ Performance Data: 3 Slots, Horizontal Throw

IP/METRIC DATA: SHRPLQ, 24"x24" PANEL, 3 SLOTS (NO DAMPER)

	IP Data					NC	Metric Data					Octave Band, dB						
	Neck Vel	Air Flow	Ps	Pt	Throw		Neck Vel	Air Flow	Ps	Pt	Throw	2	3	4	5	6	7	
	FPM	CFM	"WG	"WG	ft		m/s	L/s	Pa	Pa	m							
8" Dia.	500	175	0.014	.029	2 - 3 - 7	-	2.54	82	3.4	7.3	0.5 - 1.0 - 2.1	40	40	36	26	20	-	
	683	238	0.026	.055	3 - 5 - 9	15	3.47	113	6.4	13.7	0.9 - 1.4 - 2.8	46	47	44	35	32	18	
	867	302	0.042	.088	4 - 6 - 12	21	4.40	143	10.3	22.0	1.2 - 1.8 - 3.6	51	52	50	42	40	28	
	1050	366	0.061	.130	5 - 7 - 14	26	5.33	173	15.2	32.3	1.5 - 2.2 - 4.4	55	56	54	48	47	37	
	1233	430	0.084	.179	6 - 8 - 17	31	6.27	203	20.9	44.5	1.7 - 2.6 - 5.1	59	60	58	52	52	44	
	1417	494	0.111	.236	6 - 10 - 19	34	7.20	233	27.6	58.8	2.0 - 3.0 - 5.9	62	63	62	56	57	50	
	1600	558	0.141	.301	7 - 11 - 22	37	8.13	264	35.2	75.0	2.2 - 3.3 - 6.6	64	66	65	60	61	55	
10" Dia.	400	218	0.012	.022	2 - 4 - 9	-	2.03	103	3.0	5.4	0.7 - 1.3 - 2.6	40	39	36	24	19	-	
	583	318	0.025	.047	4 - 6 - 12	16	2.96	150	6.3	11.6	1.3 - 1.9 - 3.8	48	47	45	36	33	19	
	767	418	0.044	.080	5 - 8 - 16	24	3.89	197	10.9	20.0	1.7 - 2.5 - 5.0	54	53	52	44	42	31	
	950	518	0.067	.123	7 - 10 - 20	29	4.83	245	16.7	30.7	2.1 - 3.1 - 6.2	58	58	57	50	50	41	
	1133	618	0.095	.176	8 - 12 - 23	34	5.76	292	23.8	43.7	2.5 - 3.7 - 6.9	62	62	61	55	56	48	
	1317	718	0.129	.237	9 - 14 - 25	38	6.69	339	32.1	59.0	2.9 - 4.3 - 7.5	65	65	65	60	61	55	
	1500	818	0.167	.307	11 - 16 - 26	41	7.62	386	41.6	76.6	3.3 - 4.9 - 8.0	68	68	68	64	66	61	
12" Dia.	300	236	0.008	.014	3 - 5 - 9	-	1.52	111	2.1	3.5	0.9 - 1.4 - 2.8	38	36	33	20	15	-	
	450	353	0.019	.031	5 - 7 - 14	14	2.29	167	4.6	7.8	1.4 - 2.1 - 4.2	47	45	43	32	29	14	
	600	471	0.033	.056	6 - 9 - 19	22	3.05	222	8.3	13.8	1.9 - 2.8 - 5.6	53	51	50	41	39	27	
	750	589	0.052	.087	8 - 12 - 22	28	3.81	278	12.9	21.6	2.3 - 3.5 - 6.8	57	56	55	47	47	37	
	900	707	0.075	.125	9 - 14 - 24	32	4.57	334	18.6	31.2	2.8 - 4.2 - 7.4	61	60	60	53	54	45	
	1050	825	0.102	.170	11 - 16 - 26	36	5.33	389	25.3	42.4	3.3 - 4.9 - 8.0	64	63	63	57	59	52	
	1200	942	0.133	.222	12 - 19 - 28	40	6.10	445	33.0	55.4	3.7 - 5.6 - 8.6	67	66	67	61	64	57	
14" Dia.	200	214	0.004	.007	2 - 4 - 8	-	1.02	101	1.1	1.7	0.7 - 1.3 - 2.6	33	30	27	12	-	-	
	350	374	0.013	.021	5 - 7 - 15	11	1.78	177	3.3	5.2	1.5 - 2.2 - 4.5	45	42	40	28	25	-	
	500	535	0.027	.043	7 - 10 - 21	21	2.54	252	6.8	10.7	2.1 - 3.2 - 6.4	52	50	49	39	38	25	
	650	695	0.046	.072	9 - 14 - 24	28	3.30	328	11.5	18.0	2.8 - 4.1 - 7.4	58	55	55	47	47	36	
	800	855	0.070	.110	11 - 17 - 27	33	4.06	404	17.4	27.3	3.4 - 5.1 - 8.2	62	60	60	53	54	45	
	950	1016	0.098	.155	13 - 20 - 29	38	4.83	479	24.5	38.5	4.0 - 6.1 - 8.9	66	64	65	58	60	53	
	1100	1176	0.132	.207	15 - 22 - 32	42	5.59	555	32.9	51.6	4.7 - 6.8 - 9.6	69	67	68	63	65	59	

NOTES: Throw values are given for isothermal conditions and terminal velocities of 150, 100, and 50 FPM (0.75, 0.50, and 0.25 m/s). NC values are based on octave band 2 - 7 sound power levels minus a room absorption of 10dB, re 10⁻¹² Watts. Dash in space denotes a NC or dB value of less than 10. Data was obtained from tests conducted in accordance with ANSI/ASHRAE Standard 70, ISO Standard 5219, and ISO Standard 3741. See Krueger's selection software for performance data not shown, including octave band data.

SHRPLQ Suggested Specification & Configuration

SHRPLQ

The ceiling diffuser shall be Krueger model SHRPLQ (steel) louver plaque face for non-adjustable horizontal discharge airflow. These diffusers shall have a round neck of the sizes and frame style shown on the drawings or job schedule. The backpan shall be constructed with a round neck to accommodate 6" to 14" nominal round duct connections. The SHRPLQ diffuser shall be constructed of 18 gage steel plaque face and 22 gage steel louvered blades and backpan. The diffuser shall have an easily removable core consisting of one, two or three fixed continuous slots with a center plaque face.

PERFORMANCE

The manufacturer shall provide published (printed or electronic) performance data for the diffuser. Performance data shall include 2 - 7 octave band sound power levels. The diffuser shall be tested in accordance to the data standards at the time of product introduction or ANSI/ASHRAE Standard 70.

FINISH

The paint finish shall be #44 British White and be an anodic acrylic paint, baked at 315°F for 30 minutes. The paint thickness shall be 0.8 – 1.0 mils, gloss at 60° per ASTM D523-89 of 50 – 85%, pencil hardness per ASTM D3363-92A of HB – H, crosshatch adhesion per ASTM D3359-83 of 4B – 5B, impact per ASTM D2794-93 of direct impact >100 in/lb and reverse impact >80 in/lb, salt spray per ASTM B117-9048 of 96 hours, humidity per ASTM D2247-92 of >500 hours and water soak per ASTM D870-92 of 250 hours.

- 1. SERIES: (XXXXXX)**
SHRPLQ – Plaque Face Diffuser with Slots
- 2. NUMBER OF SLOTS: (X)**
1, 2, or 3
- 3. ROUND INLET: (XX) ***
6" – 14" in 2" Increments
- 4. FRAME STYLE: (XXX)**
F23 - Lay-in T-Bar
F98 - 5/16" Step Down
- 5. PANEL: (XX)x(XX)**
24"x24"
- 6. DAMPER: (XX)**
00 - None
03 - PR10
04 - PRD10
06 - PR12
08 - PRN100
- 7. ACCESSORIES: (XX)**
00 - None
R - Round Straightening Grid
- 8. FINISH: (XX)**
01 - Mill
10 - Alumican
35 - Black
44 - British White

* For inlet size limits, see chart on page B1-113.

LOUVERED FACE DIFFUSERS

S
H
R
P
L
Q

SAMPLE CONFIGURATION: SHRPLQ – 2 – 08 – F23 – 24x24 – 08 – 00 – 44